

## Normas de Referência

### Construção

API 609

### Testes

API 598

## Conexões

FLANGE ASME B16.5  
CLASSE 150

## Materiais

### Corpo

Ferro Nodular (GGG 50)  
Ferro Cinzento (GG 25)

### Disco

CF8  
Nodular + Níquel

### Vedações

EPDM  
BUNA-N

### Haste

304  
420



IMAGEM MERAMENTE ILUSTRATIVA

## Especificações Técnicas

Válvula de bloqueio e controle de fluxo indicada para gases ou líquidos.

Conexão tipo Wafer para flange 150 conforme ASME B16.5.

Acionamento por alavanca com posicionador graduado.

Indicada para fluidos com altas vazões a pressões moderadas.

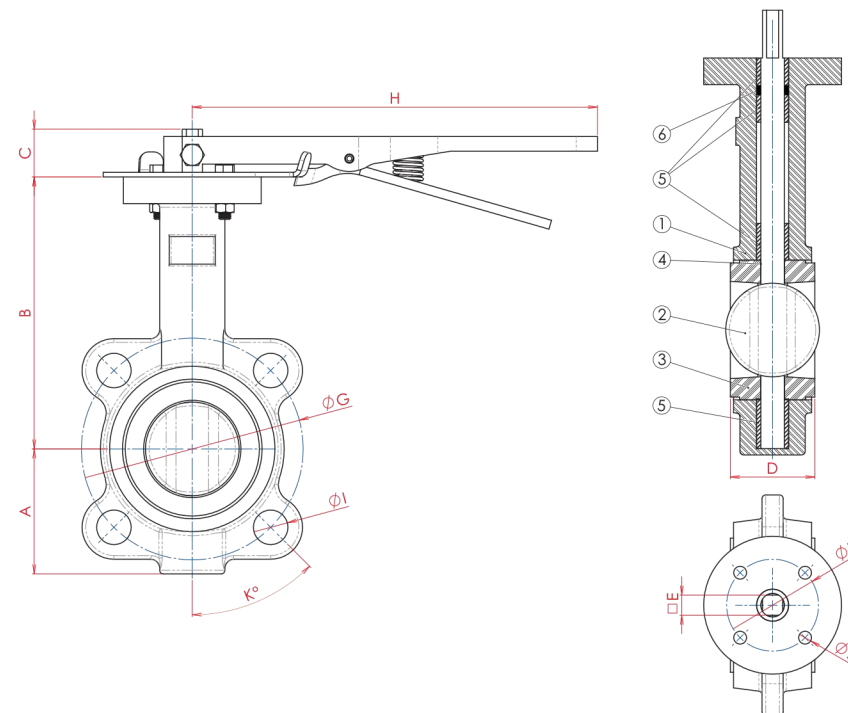
Válvulas com furação ISO para acionamento por Atuadores Elétricos ou Pneumáticos e Caixa Redutora.

Temperatura máxima de trabalho:

- Vedação EPDM: 110°C
- Vedação BUNA-N: 90°C



## Dados Técnicos



VÁLVULA BORBOLETA TIPO WAFER														
BITOLA		A	B	C	D	E	Ø F	Ø G	H	Ø I	Ø J	K°	Torque (N.m)	Peso Kg
POL.	DN													
1.1/2"	40	66,0	105,0	25,0	36,0	11,0	50,0	98,6	230,0	N-4 Ø 16	7,5	45,0	13,0	2,6
2"	50	70,0	149,0	25,0	45,0	11,0	50,0	120,65	230,0	N-4 Ø 19	7,5	45,0	13,0	2,9
2.1/2"	65	87,0	165,0	25,0	48,0	11,0	50,0	139,7	230,0	N-4 Ø 19	7,5	45,0	21,0	3,6
3"	80	101,0	165,0	25,0	49,0	11,0	50,0	152,4	230,0	N-4 Ø 19	7,5	45,0	28,0	3,9
4"	100	110,0	180,0	27,0	55,0	11,0	70,0	190,5	260,0	N-4 Ø 19	10,0	22,5	34,0	5,5
5"	125	124,0	205,0	27,0	58,0	14,0	70,0	215,9	275,0	N-4 Ø 22,4	10,0	22,5	65,0	6,2
6"	150	137,0	219,0	27,0	59,0	14,0	70,0	241,3	275,0	N-4 Ø 22,4	10,0	22,5	72,0	8,0
8"	200	173,0	252,0	27,0	64,0	17,0	102,0	298,45	390,0	N-4 Ø 22,4	12,0	22,5	161,0	14,3
10"	250	204,0	283,0	32,0	70,0	22,0	102,0	361,95	390,0	N-4 Ø 25,4	12,0	15,0	260,0	21,8
12"	300	245,0	332,0	32,0	80,0	24,0	102,0	431,8	390,0	N-4 Ø 25,4	12,0	15,0	370,0	30,8

VÁLVULA BORBOLETA TIPO WAFER			
N.º	Descrição	Material	
		S100	S200
1	Corpo	Ferro Nodular	Ferro Cinzento
2	Disco	CF8	Nodular + Níquel
3	Sede	EPDM / BUNA-N	EPDM / BUNA-N
4	Haste	304	420
5	Bucha	PTFE	PTFE
6	O'ring	EPDM	EPDM